

Serie DMN

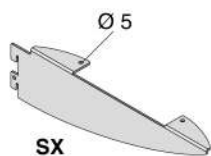
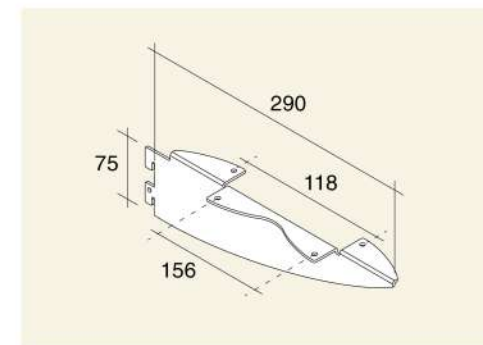
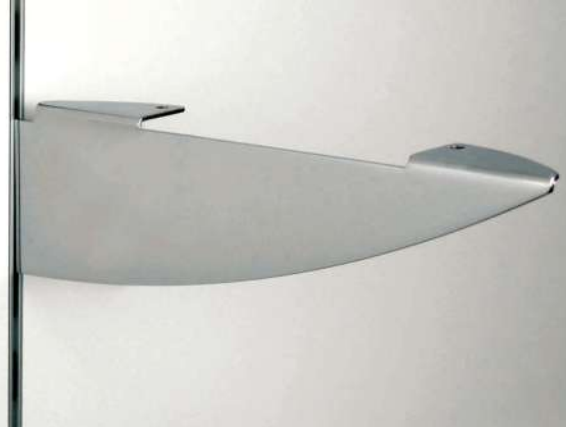
Supporti con alette piegate

DMN Series

Wing-shaped supports

Alette forate (Ø 5 mm) per piani in legno fissati con viti o lastre in appoggio su ventose.

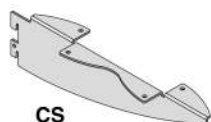
Wing-shaped and drilled (Ø 5 mm) for wood shelf fixing with screws or slabs to be rested on suction cups.



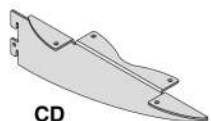
SX



DX

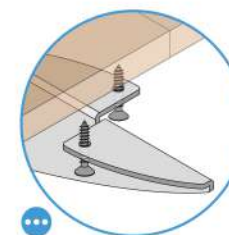
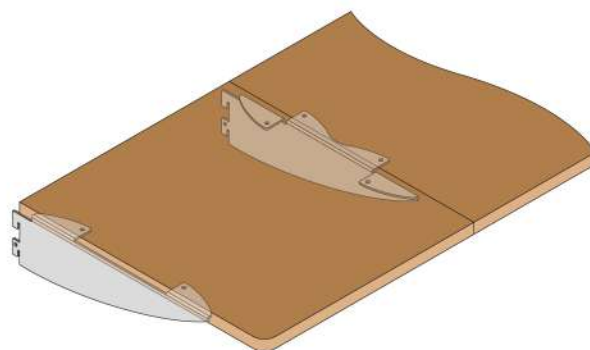


CS

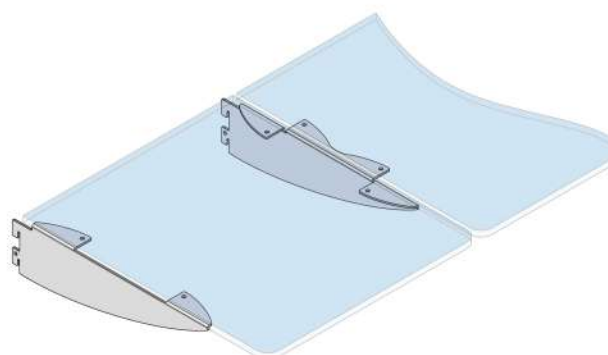


CD

Codici Codes	Al	kg	kg
	Fe		
DMN.SX29.____		60	90
DMN.DX29.____		60	90
DMN.CS29.____		60	90
DMN.CD29.____		60	90



Viti
Screws



Ventose
Suction Cups

Finiture Finishings	Al	Acciaio Steel	Fe
Argento satinato Satinized silver	NAT	Cromato lucido Polished chrome	CHL
Dorato satinato Satinized gold	ORO*	Cromato antigraffio Chromium scratch-resistant	SAM*